

The PRO-H is designed for use on commercial/industrial sectional doors with high or vertical lift track and rolling doors and grilles.

Date: _____
 Page: ____ of _____
 Drawing No. _____
 Project: _____
 Architect/Engineer: _____
 Contractor: _____
 Customer: _____



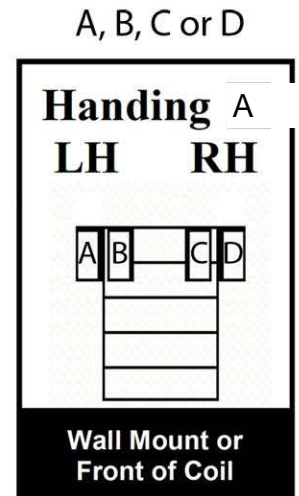
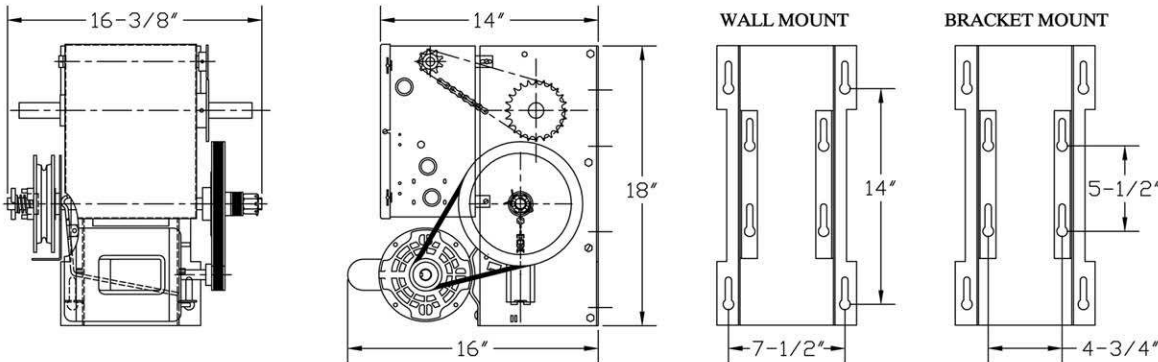
FULL LOAD AMP RATING CHART

Voltage	1/3HP	1/2HP	3/4HP	1HP
115 V - 1 ϕ - 60 Hz	7.9	8.5	11.6	14.2
230 V - 1 ϕ - 60 Hz	3.9	4.2	6.0	7.2
230 V - 1 ϕ - 50 Hz	3.1	3.1	5.6	
208/230 V - 3 ϕ - 60 Hz	2.1	2.1	2.8	3.5
380 V - 3 ϕ - 50 Hz	1.1	1.1	1.4	2.2
460 V - 3 ϕ - 60 Hz	1.1	1.1	1.5	1.8
575 V - 3 ϕ - 60 Hz	1.0	1.0	1.2	1.5

Number of Operators: _____
 Horsepower: _____
 Volts: _____
 Phase: _____
 Hertz: _____
 Type of Door: _____
 Door Width/Height: ___ W x ___ H
 Operator Nema Rating: _____
 OPEN/CLOSE/STOP Control Stations: Nema-1

Control wiring options: A

- A** Relay Logic w/ interface module (monitored reversing device supplied)
- B** Smart 10.0 logic board (monitored reversing device supplied)
- C** Relay logic (*not available in US or other areas where UL 325 2010 is mandated*)



Additional Equipment or Options

For technical support, please call 1-877-888-1116